

IMI STI for PSA service

*The FasTrak
positioner*



*Engineering
GREAT Solutions*

**It has been estimated that between 50% and 60%
PSA valves originate boosters outages.
IMI STI has the solution.**

Best performance on the market

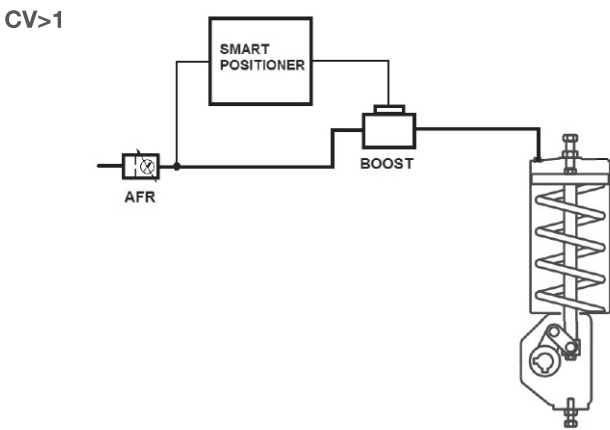
Smart positioners are key elements to meet the performance required by PSA application, usually boosters must be added to satisfy the stroking time required.

Thanks to high flow capacity of our smart positioner **FasTrak®**, boosters are not necessary, saving *space* and *money*. This allows direct control of the valve by the positioner, increasing *control quality*. Currently any positioner on the market has similar performance and FT is the only one which permits to delete volume boosters, reducing risk of fault.

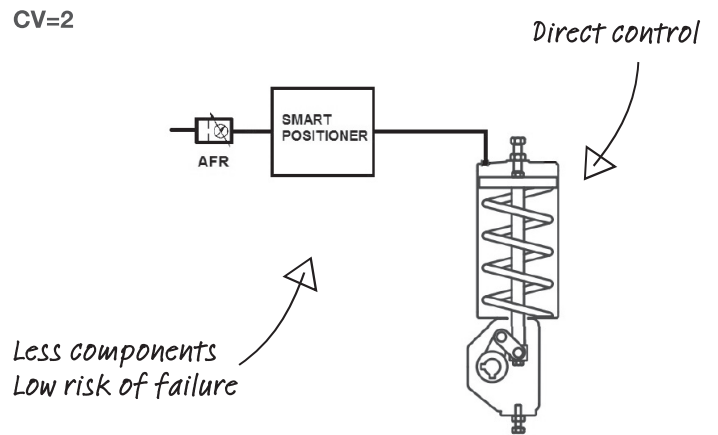
STI **FasTrak®** positioner is easy to set, thanks to his dedicated free downloadable *RemoteControl software interface*. It has a *real time graph* (request position, actual position, pressures, deviation) and a *patented* control algorithm for accurate and fast control.

It is also possible to set control parameters independently for open and close action in order to find the perfect tuning of the PID loop. The positioner is able to work in single and double acting, it can be configured simply switching a plate on the electronic board.

Application standard with positioner (CV<1) + 1 boosters

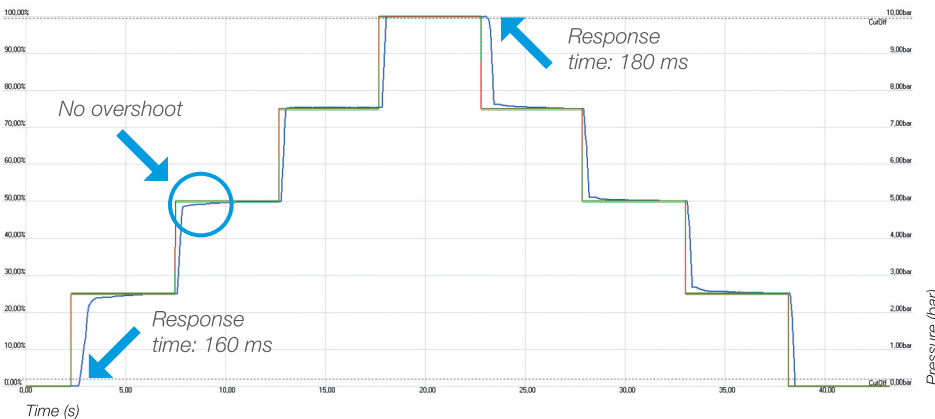


Application with STI FasTrak®



1.000.000 cycles

We tested FasTrak positioner with success for more than 1 million cycles on the basis of 1 cycle/23 seconds. FT positioner has been tested also according to UOP procedure ES-213A.



Some references:

- > BASF LUDWIGSHAFEN (Germany)
- > DANGOTE REFINERY (Nigeria)
- > DAURA REFINERY (Iraq)
- > HENGLI (China)
- > KARBALA (Iraq)
- > LOTTE CHEMICAL TITAN (Malaysia)
- > LUBEREF YANBU (Saudi Arabia)
- > METAFRAX (Russia)
- > ORSK (Russia)
- > OJSC NAFTAN (Belarus)
- > POSCO (South Korea)
- > RABIGH II (Saudi Arabia)
- > SHAH GAS ABSHAN/RUWAIS (UAE)
- > TAKREER'S RUWAIS REFINERY (UAE)
- > TOYO RAPID (Malaysia)
- > TOYO SHINTECH PLAQUEMINE (USA)
- > ZPC (China)